

EnergyStation®



SPECIFICATION SHEET

1,000W DE GROWING SYSTEM PLUS 120/240V

Item Code: ES-GS1000/DE/PLUS

Description: 1,000W DE GROWING SYSTEM PLUS 120/240V

Performance

Lamp	Number	1	
	Watts	1000W	
Input Volts	120V	240V	
Input Current	930A	4.60A	
Input Power	1085W	1055W	
Min Power Factor	0.99		
THD	<10%		
Crest Factor	<1.7		

Protections

1. End of Lamp Life (EOL) Protection.
2. Short circuit protection.
3. Open circuit protection.
4. Ignition failure protection.

Installation & Application Notes

1. Max. allowable case temperature: 75°C/167°F.
2. Ambient Temperature: -20 ~ +40°C/-4 ~ +104°F.
3. Max. Humidity: 95%.
4. Ignition voltage is 5kV.

Physical

Case Length	244.5mm	9.75"
Case Width	190.3mm	7.50"
Height	115.7mm	4.75"
Weight	6.29kg	14lbs

Performance Requirements

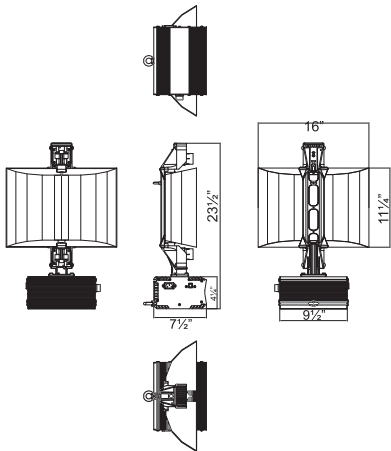
Rated mains voltage:	120-240V
Voltage range (+/-10%):	108-264V
Mains frequency:	50/60Hz
Operation frequency	100-120kHz

Dimming Type

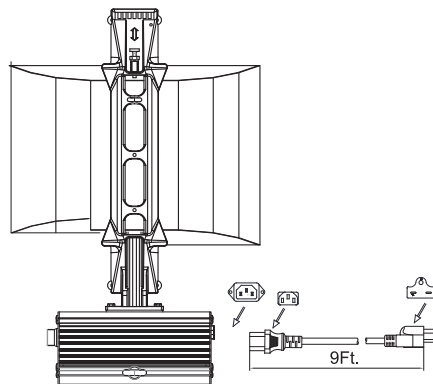
Gear	600	750	825	1000	1150	EXT
------	-----	-----	-----	------	------	-----

* External control: 0-10V Master Controller *

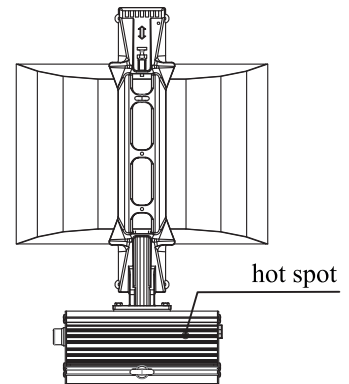
Main Dimension



Wiring Diagram



Ballast case must be grounded



Tcase max=75°C/167°F



Lumen Efficient Design Inc. lumenefficientdesign.ca
 All documentation is subject to change without notice. Please contact us for details.
info@lumenefficientdesign.com sales. 647.450.0868 main. 705.207.6793